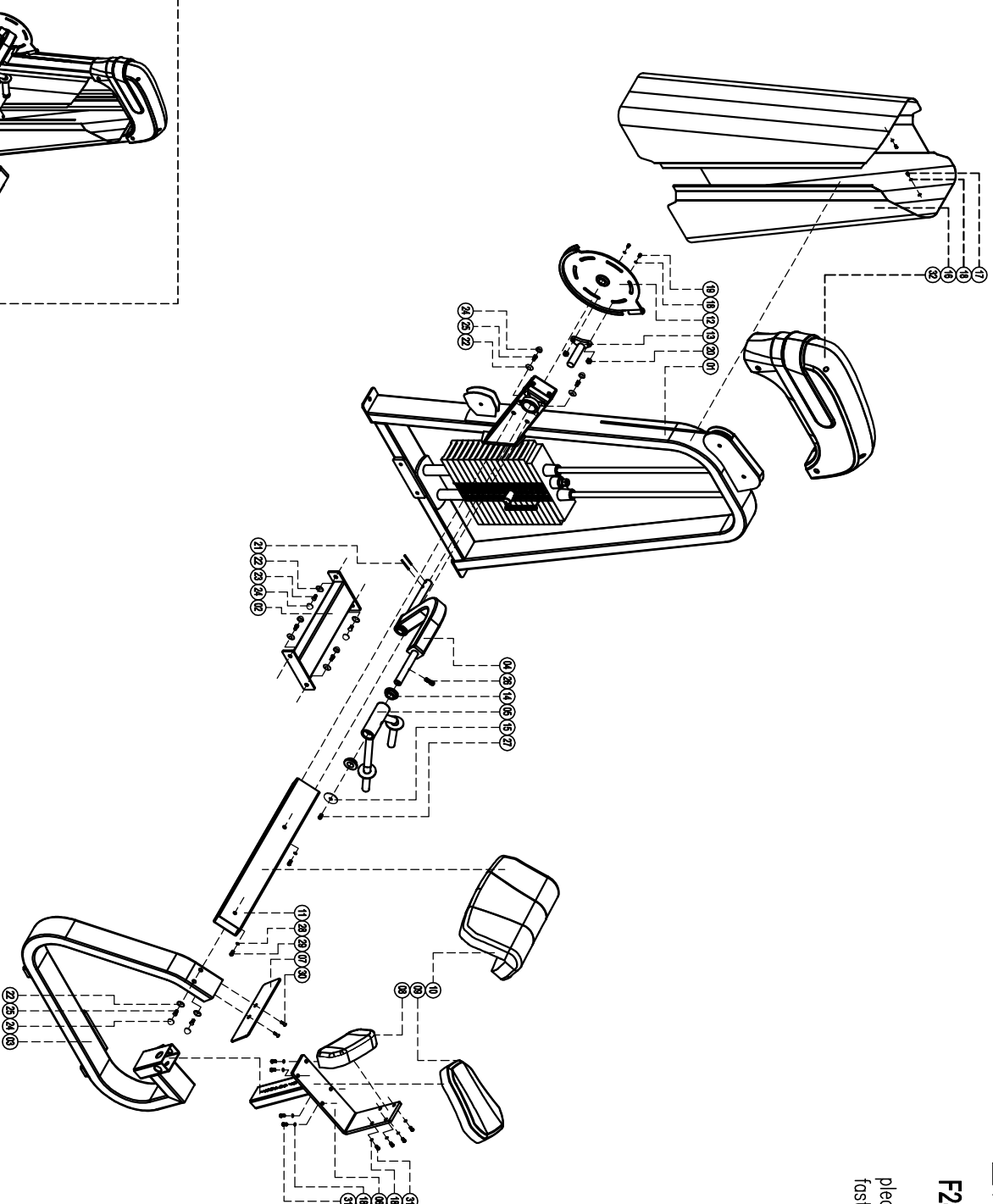


Exploded

F28 Seated Tricep Extension

please note :prats didn't demollitionde part and fast eners not listde on the introduction



32	Door cover	1
31	Snpp head Inner hexagon screw M8*38	1
30	Hexagon socket countersunk head screws M12*22	2
29	Snpp head inner hex screw M10*70 2	2
28	flat washer ϕ 10	2
27	Snpp head inner hexagon screw M8*25	1
26	Snpp head inner hex screw M10*25 1	1
25	Hex screw M12*70	4
24	cover 30	8
23	Hex screw M12*20	4
22	drum washer ϕ 12* ϕ 30*11.5	8
21	dowel pin ϕ 8*50	2
20	self-clinching screw M8	2
19	Snpp head inner hex screw M8*25 2	2
18	flat washer ϕ 8.3* ϕ 20*11.5	14
17	Snpp head inner hex screw M8*16 4	4
16	guard	1
15	washer	1
14	nylon cover	2
13	limit position rod	1
12	cam sets	1
11	connecting pipe	1
10	elbow washer	1
09	cusion	1
08	back cushion	1
07	upholstery fixing	1
06	cushion adjusters	1
05	handle group	1
04	movable arm	1
03	cardinal shelf	1
02	link group	1
01	doorframe	1

serial number name quantity