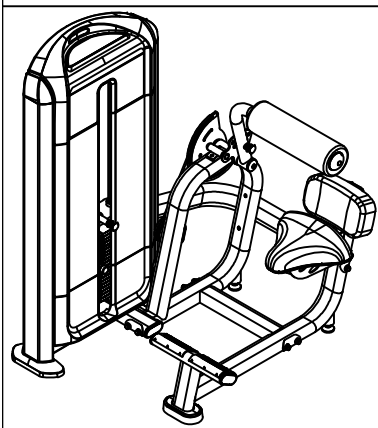
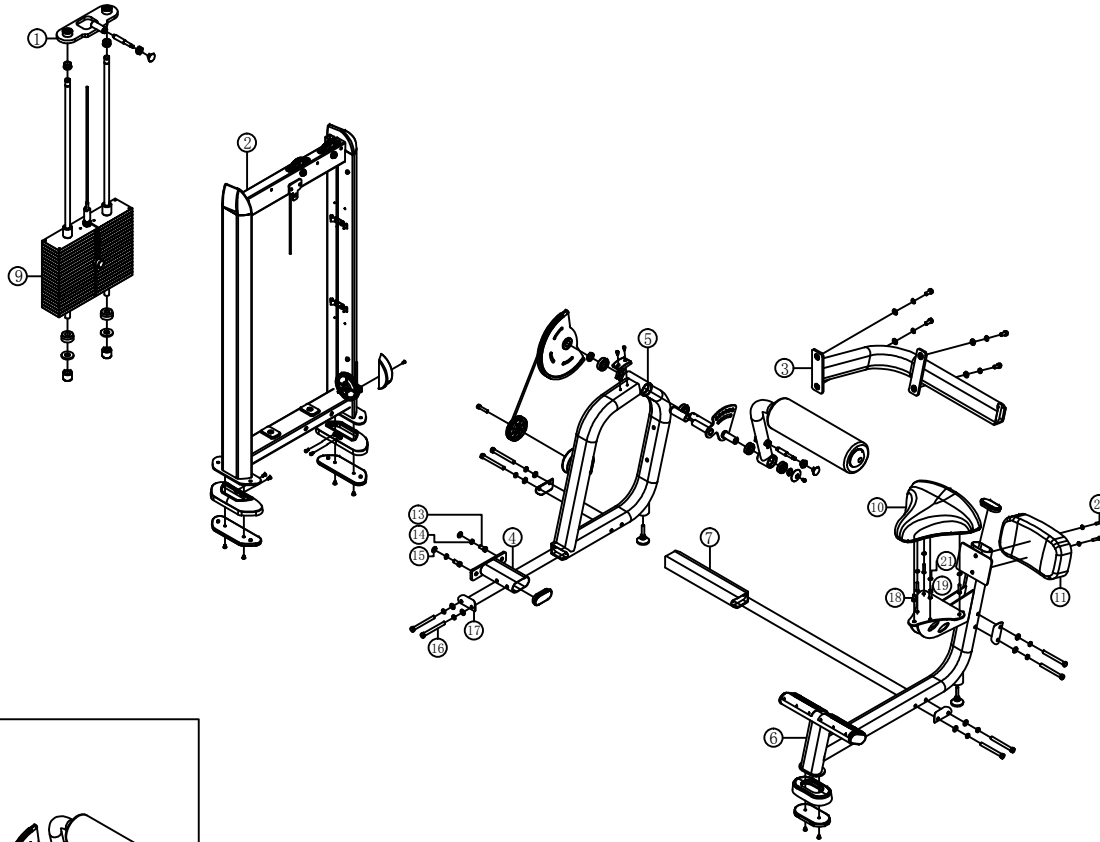


FF31 Back extension explosive view  
 Note: spare parts and fasteners are not listed on the form.



Item Number	Name Of Material	Quantity
1	Fine structure	1
2	Small components	1
3	Upper connection module	1
4	Lower connection assembly	1
5	Movable arm components	1
6	Side frame component	1
7	Connect the lower middle component	1
9	Counterweight components	1
10	Cushion	1
11	Back cushion	1
13	Outer hexagon bolt M12*25	6
14	Trampoline $\Phi$ 12	14
15	Flat gasket $\Phi$ 12	14
16	Outer hexagon bolt M12*130	8
17	Curved connector	4
18	Six angles in a flat M8*25	1
19	Half round inside hexagonal M8*25	4
20	Half round inside hexagonal M8*75	2
21	Flat gasket $\Phi$ 8	6
24	To protect the shell before	1
25	After the protection shell	1
26	Hexagon M6*10	4
27	Half circle cross self tapping T4.8*9.5	38