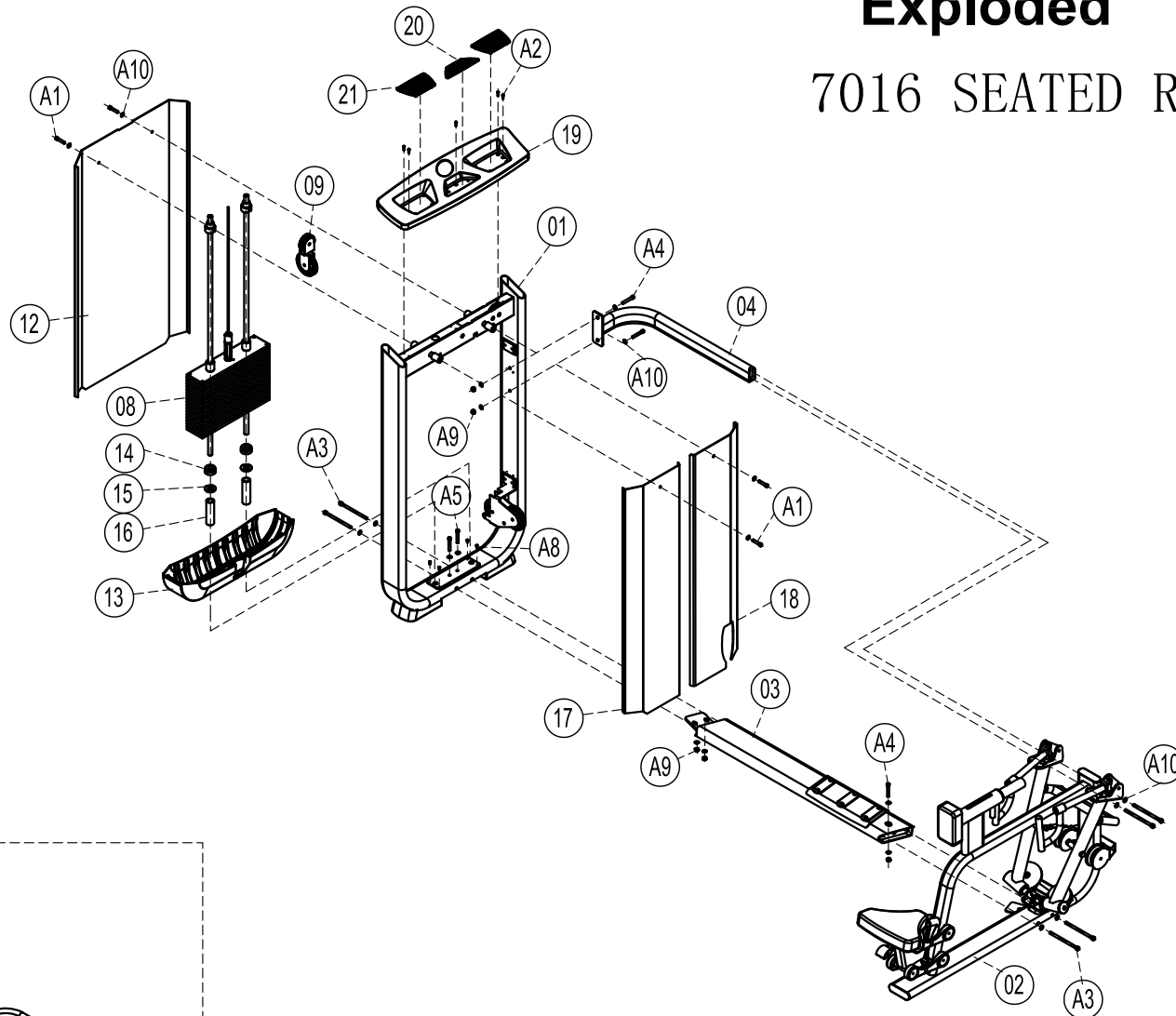


Exploded

7016 SEATED ROW



please note :prats didn't demolitionde part and fast
eners not listde on the introduction

A10	flat washer Ø10.5	20
A9	Self-locking nut M10	5
A8	hexagonal inside screw of cylinder head M5*12	4
A5	hexagonal inside screw of cylinder head M10*70	2
A4	hexagonal inside screw of cylinder head M10*60	3
A3	hexagonal inside screw of cylinder head M10*170	6
A2	hexagonal inside screw of cylinder head M5*16	5
A1	hexagonal inside screw of round head M10*40	4
22	Aluminum cover Ø60	2
21	Large rubber tray	2
20	Small rubber tray	1
19	panel	1
18	Right panel	1
17	Left panel	1
16	Counterweight bottom pipe	2
15	Counterweight washer	2
14	Rubber cushion	2
13	Bottom bracket	1
12	Rear panel	1
11	cushion	1
09	Moving pulley assembly	1
08	Counterweight	1
04	Front connection group	1
03	Bottom connection group	1
02	Main frame group	1
01	Door frame components	1
number	name	quantity